

## G07ML Die Cast Zinc Cylinder Lock Cam Latch

### Features

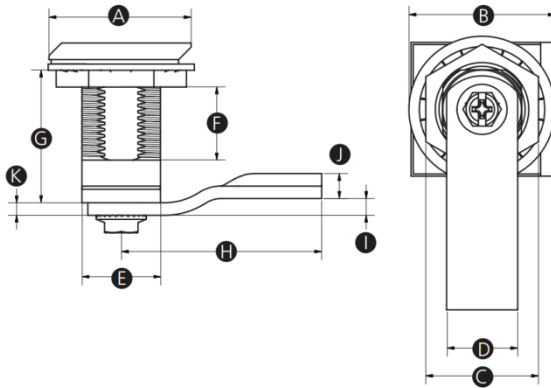
- Cam quarter-turn to open or close, with locking function
- Includes allen key
- IP54 rating – dust protected / protected against splashing water

### Material

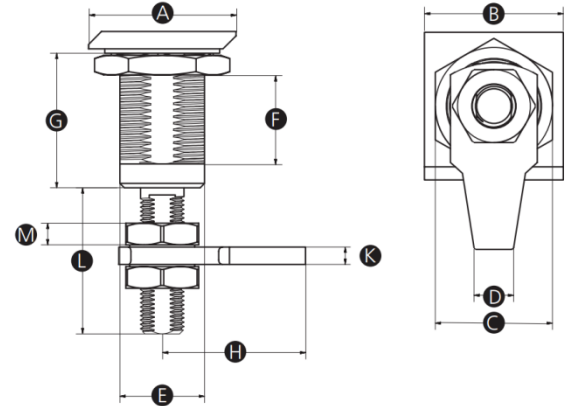
- Housing and insert: Die cast zinc, black powder coating
- Cam: Steel, zinc plated



Non-adjustable type



Adjustable type



Part No.	A	B	C	D	E	F	G	H	I	J	K	L	M	Adjustable
G07ML-15938X	34	35	27	17	19	18	32	48	4	6	3	-	-	No
G07ML-16144R		32		9										21